

# 2017 PRODUCT CATALOG

## Copper | Fittings

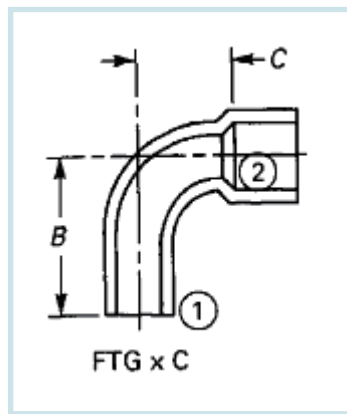
Copper Elbow .....	1
Copper Coupling .....	3
Copper Reducing .....	4
Copper TEE .....	5
Copper U Bend .....	7
Copper Cap .....	8
Copper Adapter .....	8
Copper Bushing .....	10
Copper P Trap .....	11

**winland**  
CONNECTING THE WORLD



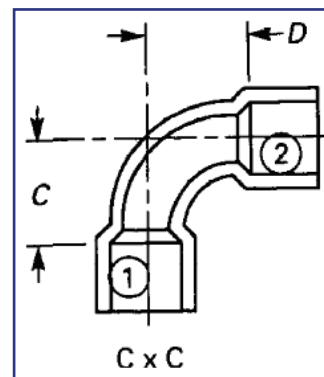
Fittings are designated by size in the order: ① x ② x ③  
Fittings designs and drawings are illustrative only.

## 90 Deg Elbow SR FTG X C



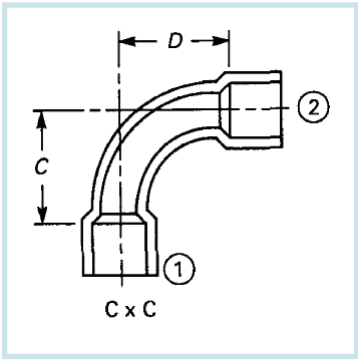
Winland #	Size	Description
CCC90ESR-1	1/4"	C x C copper elbow 90 deg SR
CCC90ESR-2	3/8"	C x C copper elbow 90 deg SR
CCC90ESR-3	1/2"	C x C copper elbow 90 deg SR
CCC90ESR-4	5/8"	C x C copper elbow 90 deg SR
CCC90ESR-5	3/4"	C x C copper elbow 90 deg SR
CCC90ESR-6	7/8"	C x C copper elbow 90 deg SR
CCC90ESR-7	1"	C x C copper elbow 90 deg SR
CCC90ESR-8	1 1/8"	C x C copper elbow 90 deg SR
CCC90ESR-9	1 3/8"	C x C copper elbow 90 deg SR
CCC90ESR-10	1 5/8"	C x C copper elbow 90 deg SR
CCC90ESR-11	2 1/8"	C x C copper elbow 90 deg SR
CCC90ESR-12	2 5/8"	C x C copper elbow 90 deg SR
CCC90ESR-13	3/8" x 1/4"	C x C copper elbow 90 deg SR
CCC90ESR-14	1/2" x 3/8"	C x C copper elbow 90 deg SR
CCC90ESR-15	5/8" x 3/8"	C x C copper elbow 90 deg SR
CCC90ESR-16	5/8" x 1/2"	C x C copper elbow 90 deg SR
CCC90ESR-17	3/4" x 1/2"	C x C copper elbow 90 deg SR
CCC90ESR-18	3/4" x 5/8"	C x C copper elbow 90 deg SR
CCC90ESR-19	7/8" x 1/2"	C x C copper elbow 90 deg SR
CCC90ESR-20	7/8" x 5/8"	C x C copper elbow 90 deg SR
CCC90ESR-21	7/8" x 3/4"	C x C copper elbow 90 deg SR
CCC90ESR-22	1 1/8" x 1/2"	C x C copper elbow 90 deg SR
CCC90ESR-23	1 1/8" x 5/8"	C x C copper elbow 90 deg SR
CCC90ESR-24	1 1/8" x 3/4"	C x C copper elbow 90 deg SR
CCC90ESR-25	1 1/8" x 7/8"	C x C copper elbow 90 deg SR
CCC90ESR-26	1 3/8" x 1 1/8"	C x C copper elbow 90 deg SR
CCC90ESR-27	1 5/8" x 1 3/8"	C x C copper elbow 90 deg SR
CCC90SR-28	2 1/8" x 1 5/8"	C x C copper elbow 90 deg SR

Winland #	Size	Description
CFTGC90ESR-1	1/4"	FTG x C copper elbow 90 deg SR
CFTGC90ESR-2	3/8"	FTG x C copper elbow 90 deg SR
CFTGC90ESR-3	1/2"	FTG x C copper elbow 90 deg SR
CFTGC90ESR-4	5/8"	FTG x C copper elbow 90 deg SR
CFTGC90ESR-5	3/4"	FTG x C copper elbow 90 deg SR
CFTGC90ESR-6	7/8"	FTG x C copper elbow 90 deg SR
CFTGC90ESR-7	1 1/8"	FTG x C copper elbow 90 deg SR
CFTGC90ESR-8	1 3/8"	FTG x C copper elbow 90 deg SR
CFTGC90ESR-9	1 5/8"	FTG x C copper elbow 90 deg SR
CFTGC90ESR-10	2 1/8"	FTG x C copper elbow 90 deg SR
CFTGC90ESR-11	2 5/8"	FTG x C copper elbow 90 deg SR

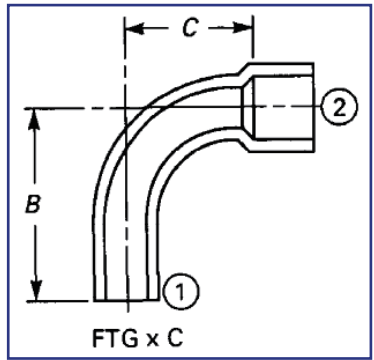


## 90 Deg Elbow SR C X C

90 Deg Elbow LR  
C X C

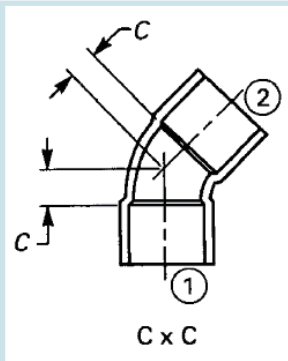


90 Deg Elbow LR  
FTG X C

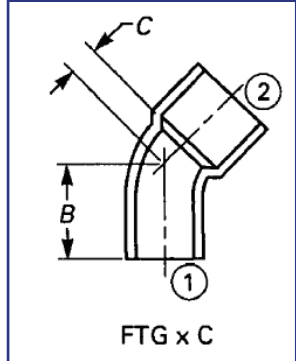


Winland #	Size	Description
CCC90ELR-1	1/4"	C x C copper elbow 90 deg LR
CCC90ELR-2	3/8"	C x C copper elbow 91 deg LR
CCC90ELR-3	1/2"	C x C copper elbow 92 deg LR
CCC90ELR-4	5/8"	C x C copper elbow 93 deg LR
CCC90ELR-5	3/4"	C x C copper elbow 94 deg LR
CCC90ELR-6	7/8"	C x C copper elbow 95 deg LR
CCC90ELR-7	1 1/8"	C x C copper elbow 96 deg LR
CCC90ELR-8	1 3/8"	C x C copper elbow 97 deg LR
CCC90ELR-9	1 5/8"	C x C copper elbow 98 deg LR
CCC90ELR-10	2 1/8"	C x C copper elbow 99 deg LR
CCC90ELR-11	2 5/8"	C x C copper elbow 100 deg LR

Winland #	Size	Description
CFTGC90ELR-1	3/8"	FTG x C copper elbow 90 deg LR
CFTGC90ELR-2	1/2"	FTG x C copper elbow 90 deg LR
CFTGC90ELR-3	5/8"	FTG x C copper elbow 90 deg LR
CFTGC90ELR-4	3/4"	FTG x C copper elbow 90 deg LR
CFTGC90ELR-5	7/8"	FTG x C copper elbow 90 deg LR
CFTGC90ELR-6	1 1/8"	FTG x C copper elbow 90 deg LR
CFTGC90ELR-7	1 3/8"	FTG x C copper elbow 90 deg LR
CFTGC90ELR-8	1 5/8"	FTG x C copper elbow 90 deg LR
CFTGC90ELR-9	2 1/8"	FTG x C copper elbow 90 deg LR
CFTGC90ELR-10	2 5/8"	FTG x C copper elbow 90 deg LR



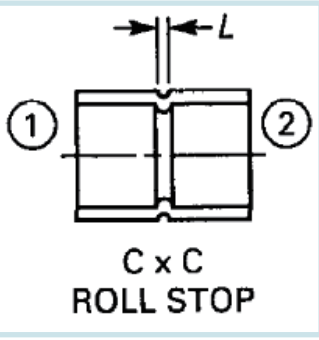
45 Deg Elbow  
C X C



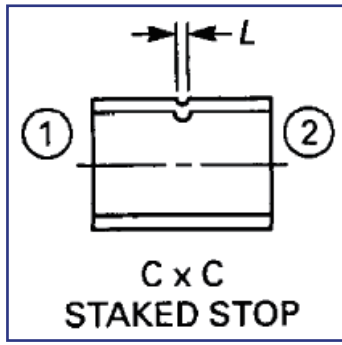
45 Deg Elbow  
FTG X C

Winland #	Size	Description
CCC45E-1	1/4"	C x C copper elbow 45 deg
CCC45E-2	3/8"	C x C copper elbow 45 deg
CCC45E-3	1/2"	C x C copper elbow 45 deg
CCC45E-4	5/8"	C x C copper elbow 45 deg
CCC45E-5	3/4"	C x C copper elbow 45 deg
CCC45E-6	7/8"	C x C copper elbow 45 deg
CCC45E-7	1 1/8"	C x C copper elbow 45 deg
CCC45E-8	1 3/8"	C x C copper elbow 45 deg
CCC45E-9	1 5/8"	C x C copper elbow 45 deg
CCC45E-10	2 1/8"	C x C copper elbow 45 deg
CCC45E-11	2 5/8"	C x C copper elbow 45 deg

Winland #	Size	Description
CFTGC45E-1	3/8"	FTG x C copper elbow 45 deg
CFTGC45E-2	1/2"	FTG x C copper elbow 45 deg
CFTGC45E-3	5/8"	FTG x C copper elbow 45 deg
CFTGC45E-4	3/4"	FTG x C copper elbow 45 deg
CFTGC45E-5	7/8"	FTG x C copper elbow 45 deg
CFTGC45E-6	1 1/8"	FTG x C copper elbow 45 deg
CFTGC45E-7	1 3/8"	FTG x C copper elbow 45 deg
CFTGC45E-8	1 5/8"	FTG x C copper elbow 45 deg
CFTGC45E-9	2 1/8"	FTG x C copper elbow 45 deg
CFTGC45E-10	2 5/8"	FTG x C copper elbow 45 deg



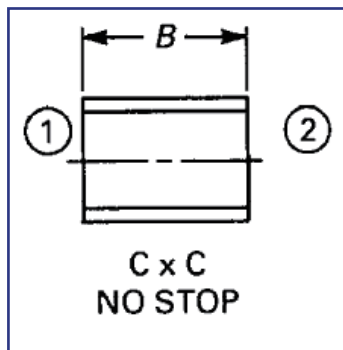
**Coupling Roll Stop**  
**C X C**



**Coupling Staked Stop**  
**C X C**

Winland #	Size	Description
CCCCRS-1	1/4"	C x C copper coupling roll stop
CCCCRS-2	3/8"	C x C copper coupling roll stop
CCCCRS-3	1/2"	C x C copper coupling roll stop
CCCCRS-4	5/8"	C x C copper coupling roll stop
CCCCRS-5	3/4"	C x C copper coupling roll stop
CCCCRS-6	7/8"	C x C copper coupling roll stop
CCCCRS-7	1"	C x C copper coupling roll stop
CCCCRS-8	1 1/8"	C x C copper coupling roll stop
CCCCRS-9	1 3/8"	C x C copper coupling roll stop
CCCCRS-10	1 1/2"	C x C copper coupling roll stop
CCCCRS-11	1 5/8"	C x C copper coupling roll stop
CCCCRS-12	2 1/8"	C x C copper coupling roll stop
CCCCRS-13	2 5/8"	C x C copper coupling roll stop

Winland #	Size	Description
CCCCSS-1	1/4"	C x C Coupling Staked Stop
CCCCSS-2	3/8"	C x C Coupling Staked Stop
CCCCSS-3	1/2"	C x C Coupling Staked Stop
CCCCSS-4	5/8"	C x C Coupling Staked Stop
CCCCSS-5	3/4"	C x C Coupling Staked Stop
CCCCSS-6	7/8"	C x C Coupling Staked Stop
CCCCSS-7	1 1/8"	C x C Coupling Staked Stop
CCCCSS-8	1 3/8"	C x C Coupling Staked Stop
CCCCSS-9	1 5/8"	C x C Coupling Staked Stop
CCCCSS-10	2 1/8"	C x C Coupling Staked Stop
CCCCSS-11	2 5/8"	C x C Coupling Staked Stop



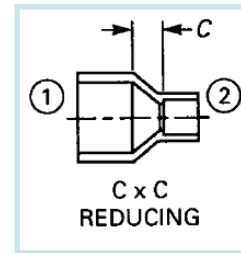
**Coupling No Stop**  
**C X C**

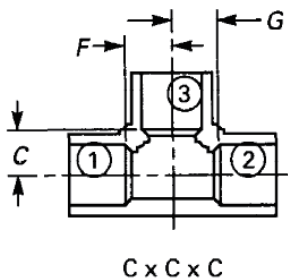
Winland #	Size	Description
CCCCNS-1	1/4"	C x C Coupling No Stop
CCCCNS-2	3/8"	C x C Coupling No Stop
CCCCNS-3	1/2"	C x C Coupling No Stop
CCCCNS-4	5/8"	C x C Coupling No Stop
CCCCNS-5	3/4"	C x C Coupling No Stop
CCCCNS-6	7/8"	C x C Coupling No Stop
CCCCNS-7	1 1/8"	C x C Coupling No Stop
CCCCNS-8	1 3/8"	C x C Coupling No Stop
CCCCNS-9	1 5/8"	C x C Coupling No Stop
CCCCNS-10	2 1/8"	C x C Coupling No Stop
CCCCNS-11	2 5/8"	C x C Coupling No Stop

Winland #	Size	Description
CCCRD-1	3/8" x 1/4"	C x C Reducing
CCCRD-2	1/2" x 1/4"	C x C Reducing
CCCRD-3	1/2" x 3/8"	C x C Reducing
CCCRD-4	5/8" x 1/4"	C x C Reducing
CCCRD-5	5/8" x 3/8"	C x C Reducing
CCCRD-6	5/8" x 1/2"	C x C Reducing
CCCRD-7	3/4" x 3/8"	C x C Reducing
CCCRD-8	3/4" x 1/2"	C x C Reducing
CCCRD-9	3/4" x 5/8"	C x C Reducing
CCCRD-10	7/8" x 3/8"	C x C Reducing
CCCRD-11	7/8" x 1/2"	C x C Reducing
CCCRD-12	7/8" x 5/8"	C x C Reducing
CCCRD-13	1 1/8" x 1/2"	C x C Reducing
CCCRD-14	1 1/8" x 5/8"	C x C Reducing
CCCRD-15	1 1/8" x 3/4"	C x C Reducing
CCCRD-16	1 1/8" x 7/8"	C x C Reducing
CCCRD-17	1 3/8" x 5/8"	C x C Reducing
CCCRD-18	1 3/8" x 7/8"	C x C Reducing
CCCRD-19	1 3/8" x 1 1/8"	C x C Reducing
CCCRD-20	1 5/8" x 5/8"	C x C Reducing
CCCRD-21	1 5/8" x 7/8"	C x C Reducing
CCCRD-22	1 5/8" x 1 1/8"	C x C Reducing
CCCRD-23	1 5/8" x 1 3/8"	C x C Reducing
CCCRD-24	2 1/8" x 5/8"	C x C Reducing
CCCRD-25	2 1/8" x 7/8"	C x C Reducing
CCCRD-26	2 1/8" x 1 1/8"	C x C Reducing
CCCRD-27	2 1/8" x 1 3/8"	C x C Reducing
CCCRD-28	2 1/8" x 1 5/8"	C x C Reducing
CCCRD-29	2 5/8" x 1 1/8"	C x C Reducing
CCCRD-30	2 5/8" x 1 3/8"	C x C Reducing
CCCRD-31	2 5/8" x 1 5/8"	C x C Reducing
CCCRD-32	2 5/8" x 2 1/8"	C x C Reducing

Reducing

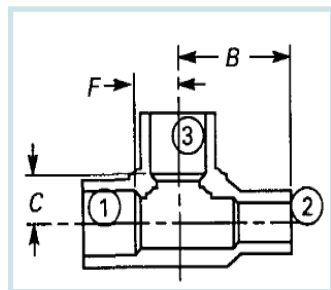
C X C





**TEE**  
**C X C X C**

Winland #	Size	Description
CCCCTE-1	1/4"	C x C x C TEE
CCCCTE-2	3/8"	C x C x C TEE
CCCCTE-3	1/2"	C x C x C TEE
CCCCTE-4	5/8"	C x C x C TEE
CCCCTE-5	3/4"	C x C x C TEE
CCCCTE-6	7/8"	C x C x C TEE
CCCCTE-7	1 1/8"	C x C x C TEE
CCCCTE-8	1 3/8"	C x C x C TEE
CCCCTE-9	1 5/8"	C x C x C TEE
CCCCTE-10	2 1/8"	C x C x C TEE
CCCCTE-11	2 5/8"	C x C x C TEE



**TEE**  
**C X FTG X C**

Winland #	Size	Description
CCFTGCTE-41	7/8" x 3/4" x 7/8"	C x FTG x C TEE
CCFTGCTE-42	7/8" x 1 1/8" x 7/8"	C x FTG x C TEE
CCFTGCTE-43	7/8" x 1/2" x 1/2"	C x FTG x C TEE
CCFTGCTE-44	7/8" x 5/8" x 1/2"	C x FTG x C TEE
CCFTGCTE-45	7/8" x 7/8" x 1/2"	C x FTG x C TEE
CCFTGCTE-46	7/8" x 3/8" x 5/8"	C x FTG x C TEE
CCFTGCTE-47	7/8" x 1/2" x 5/8"	C x FTG x C TEE
CCFTGCTE-48	7/8" x 5/8" x 5/8"	C x FTG x C TEE
CCFTGCTE-49	7/8" x 3/4" x 5/8"	C x FTG x C TEE
CCFTGCTE-50	7/8" x 7/8" x 5/8"	C x FTG x C TEE

Winland #	Size	Description
CCFTGCTE-1	1/4" x 3/8" x 1/4"	C x FTG x C TEE
CCFTGCTE-2	3/8" x 1/4" x 3/8"	C x FTG x C TEE
CCFTGCTE-3	3/8" x 1/2" x 3/8"	C x FTG x C TEE
CCFTGCTE-4	3/8" x 5/8" x 3/8"	C x FTG x C TEE
CCFTGCTE-5	3/8" x 1/4" x 1/4"	C x FTG x C TEE
CCFTGCTE-6	3/8" x 3/8" x 1/4"	C x FTG x C TEE
CCFTGCTE-7	1/2" x 1/4" x 1/2"	C x FTG x C TEE
CCFTGCTE-8	1/2" x 3/8" x 1/2"	C x FTG x C TEE
CCFTGCTE-9	1/2" x 5/8" x 1/2"	C x FTG x C TEE
CCFTGCTE-10	1/2" x 1/4" x 1/4"	C x FTG x C TEE
CCFTGCTE-11	1/2" x 3/8" x 1/4"	C x FTG x C TEE
CCFTGCTE-12	1/2" x 1/2" x 1/4"	C x FTG x C TEE
CCFTGCTE-13	1/2" x 1/4" x 3/8"	C x FTG x C TEE
CCFTGCTE-14	1/2" x 3/8" x 3/8"	C x FTG x C TEE
CCFTGCTE-15	1/2" x 1/2" x 3/8"	C x FTG x C TEE
CCFTGCTE-16	5/8" x 1/4" x 5/8"	C x FTG x C TEE
CCFTGCTE-17	5/8" x 3/8" x 5/8"	C x FTG x C TEE
CCFTGCTE-18	5/8" x 1/2" x 5/8"	C x FTG x C TEE
CCFTGCTE-19	5/8" x 3/4" x 5/8"	C x FTG x C TEE
CCFTGCTE-20	5/8" x 7/8" x 5/8"	C x FTG x C TEE
CCFTGCTE-21	5/8" x 1 1/8" x 5/8"	C x FTG x C TEE
CCFTGCTE-22	5/8" x 3/8" x 3/8"	C x FTG x C TEE
CCFTGCTE-23	5/8" x 3/8" x 1/2"	C x FTG x C TEE
CCFTGCTE-24	5/8" x 5/8" x 3/8"	C x FTG x C TEE
CCFTGCTE-25	5/8" x 3/8" x 1/2"	C x FTG x C TEE
CCFTGCTE-26	5/8" x 1/2" x 1/2"	C x FTG x C TEE
CCFTGCTE-27	5/8" x 5/8" x 1/2"	C x FTG x C TEE
CCFTGCTE-28	3/4" x 3/8" x 3/4"	C x FTG x C TEE
CCFTGCTE-29	3/4" x 1/2" x 3/4"	C x FTG x C TEE
CCFTGCTE-30	3/4" x 5/8" x 3/4"	C x FTG x C TEE
CCFTGCTE-31	3/4" x 3/4" x 7/8"	C x FTG x C TEE
CCFTGCTE-32	3/4" x 1/2" x 1/2"	C x FTG x C TEE
CCFTGCTE-33	3/4" x 1/2" x 5/8"	C x FTG x C TEE
CCFTGCTE-34	3/4" x 3/4" x 1/2"	C x FTG x C TEE
CCFTGCTE-35	3/4" x 1/2" x 5/8"	C x FTG x C TEE
CCFTGCTE-36	3/4" x 5/8" x 5/8"	C x FTG x C TEE
CCFTGCTE-37	3/4" x 3/4" x 5/8"	C x FTG x C TEE
CCFTGCTE-38	7/8" x 3/8" x 7/8"	C x FTG x C TEE
CCFTGCTE-39	7/8" x 1/2" x 7/8"	C x FTG x C TEE
CCFTGCTE-40	7/8" x 5/8" x 7/8"	C x FTG x C TEE

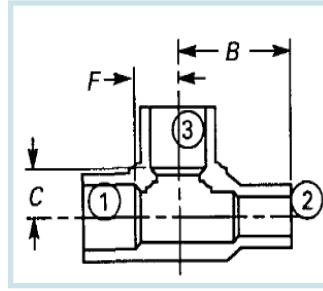


Winland #	Size	Description
CCFTGCTE-51	7/8" x 3/4" x 3/4"	C x FTG x C TEE
CCFTGCTE-52	7/8" x 7/8" x 3/4"	C x FTG x C TEE
CCFTGCTE-53	1 1/8" x 1/2" x 1 1/8"	C x FTG x C TEE
CCFTGCTE-54	1 1/8" x 5/8" x 1 1/8"	C x FTG x C TEE
CCFTGCTE-55	1 1/8" x 3/4" x 1 1/8"	C x FTG x C TEE
CCFTGCTE-56	1 1/8" x 7/8" x 1 1/8"	C x FTG x C TEE
CCFTGCTE-57	1 1/8" x 1 3/8" x 1 1/8"	C x FTG x C TEE
CCFTGCTE-58	1 1/8" x 5/8" x 5/8"	C x FTG x C TEE
CCFTGCTE-59	1 1/8" x 7/8" x 5/8"	C x FTG x C TEE
CCFTGCTE-60	1 1/8" x 1 1/8" x 5/8"	C x FTG x C TEE
CCFTGCTE-61	1 1/8" x 5/8" x 3/4"	C x FTG x C TEE
CCFTGCTE-62	1 1/8" x 3/4" x 3/4"	C x FTG x C TEE
CCFTGCTE-63	1 1/8" x 7/8" x 3/4"	C x FTG x C TEE
CCFTGCTE-64	1 1/8" x 1 1/8" x 3/4"	C x FTG x C TEE
CCFTGCTE-65	1 1/8" x 1/2" x 7/8"	C x FTG x C TEE
CCFTGCTE-66	1 1/8" x 5/8" x 7/8"	C x FTG x C TEE
CCFTGCTE-67	1 1/8" x 3/4" x 7/8"	C x FTG x C TEE
CCFTGCTE-68	1 1/8" x 7/8" x 7/8"	C x FTG x C TEE
CCFTGCTE-69	1 1/8" x 1 1/8" x 7/8"	C x FTG x C TEE
CCFTGCTE-70	1 3/8" x 1/2" x 1 3/8"	C x FTG x C TEE
CCFTGCTE-71	1 3/8" x 5/8" x 1 3/8"	C x FTG x C TEE
CCFTGCTE-72	1 3/8" x 7/8" x 1 3/8"	C x FTG x C TEE
CCFTGCTE-73	1 3/8" x 1 1/8" x 1 3/8"	C x FTG x C TEE
CCFTGCTE-74	1 3/8" x 1 5/8" x 1 3/8"	C x FTG x C TEE
CCFTGCTE-75	1 3/8" x 2 1/8" x 1 1/8"	C x FTG x C TEE
CCFTGCTE-76	1 3/8" x 1 3/8" x 5/8"	C x FTG x C TEE
CCFTGCTE-77	1 3/8" x 5/8" x 7/8"	C x FTG x C TEE
CCFTGCTE-78	1 3/8" x 7/8" x 7/8"	C x FTG x C TEE
CCFTGCTE-79	1 3/8" x 1 1/8" x 7/8"	C x FTG x C TEE
CCFTGCTE-80	1 3/8" x 1 3/8" x 7/8"	C x FTG x C TEE
CCFTGCTE-81	1 3/8" x 5/8 x 1 1/8"	C x FTG x C TEE
CCFTGCTE-82	1 3/8" x 7/8" x 1 1/8"	C x FTG x C TEE
CCFTGCTE-83	1 3/8" x 1 1/8" x 1 1/8"	C x FTG x C TEE
CCFTGCTE-84	1 1/8" x 1 3/8" x 1 1/8"	C x FTG x C TEE
CCFTGCTE-85	1 5/8" x 1/2" x 1 5/8"	C x FTG x C TEE

TEE C X FTG X C

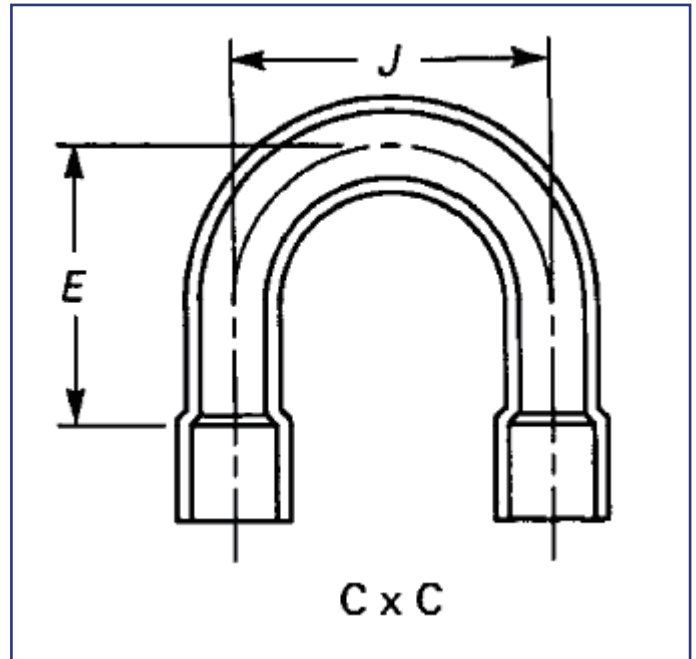
Winland #	Size	Description
CCFTGCTE-86	1 5/8" x 5/8" x 1 5/8"	C x FTG x C TEE
CCFTGCTE-87	1 5/8" x 7/8" x 1 5/8"	C x FTG x C TEE
CCFTGCTE-88	1 5/8" x 1 1/8" x 1 5/8"	C x FTG x C TEE
CCFTGCTE-89	1 5/8" x 1 3/8" x 1 5/8"	C x FTG x C TEE
CCFTGCTE-90	1 5/8" x 2 1/8" x 1 5/8"	C x FTG x C TEE
CCFTGCTE-91	1 5/8" x 1 5/8" x 5/8"	C x FTG x C TEE
CCFTGCTE-92	1 5/8" x 5/8" x 7/8"	C x FTG x C TEE
CCFTGCTE-93	1 5/8" x 7/8" x 7/8"	C x FTG x C TEE
CCFTGCTE-94	1 5/8" x 1 1/8" x 7/8"	C x FTG x C TEE
CCFTGCTE-95	1 5/8" x 1 3/8" x 7/8"	C x FTG x C TEE
CCFTGCTE-96	1 5/8" x 1 5/8" x 7/8"	C x FTG x C TEE
CCFTGCTE-97	1 5/8" x 5/8" x 1 1/8"	C x FTG x C TEE
CCFTGCTE-98	1 5/8" x 7/8" x 1 1/8"	C x FTG x C TEE
CCFTGCTE-99	1 5/8" x 1 1/8" x 1 1/8"	C x FTG x C TEE
CCFTGCTE-100	1 5/8" x 1 3/8" x 1 1/8"	C x FTG x C TEE
CCFTGCTE-101	1 5/8" x 1 5/8" x 1 1/8"	C x FTG x C TEE
CCFTGCTE-102	1 5/8" x 5/8" x 1 3/8"	C x FTG x C TEE
CCFTGCTE-103	1 5/8" x 7/8" x 1 3/8"	C x FTG x C TEE
CCFTGCTE-104	1 5/8" x 1 1/8" x 1 3/8"	C x FTG x C TEE
CCFTGCTE-105	1 5/8" x 1 3/8" x 1 3/8"	C x FTG x C TEE
CCFTGCTE-106	1 5/8" x 1 5/8" x 1 3/8"	C x FTG x C TEE
CCFTGCTE-107	2 1/8" x 5/8" x 2 1/8"	C x FTG x C TEE
CCFTGCTE-108	2 1/8" x 7/8" x 2 1/8"	C x FTG x C TEE
CCFTGCTE-109	2 1/8" x 1 1/8" x 2 1/8"	C x FTG x C TEE
CCFTGCTE-110	2 1/8" x 1 3/8" x 2 1/8"	C x FTG x C TEE
CCFTGCTE-111	2 1/8" x 1 5/8" x 2 1/8"	C x FTG x C TEE
CCFTGCTE-112	2 1/8" x 2 5/8" x 2 1/8"	C x FTG x C TEE
CCFTGCTE-113	2 1/8" x 3 1/8" x 2 1/8"	C x FTG x C TEE
CCFTGCTE-114	2 1/8" x 1/2" x 7/8"	C x FTG x C TEE
CCFTGCTE-115	2 1/8" x 2 1/8" x 5/8"	C x FTG x C TEE
CCFTGCTE-116	2 1/8" x 2 1/8" x 7/8"	C x FTG x C TEE
CCFTGCTE-117	2 1/8" x 1 1/8" x 1 1/8"	C x FTG x C TEE
CCFTGCTE-118	2 1/8" x 2 1/8" x 1 1/8"	C x FTG x C TEE
CCFTGCTE-119	2 1/8" x 5/8" x 1 3/8"	C x FTG x C TEE
CCFTGCTE-120	2 1/8" x 7/8" x 1 3/8"	C x FTG x C TEE
CCFTGCTE-121	2 1/8" x 1 1/8" x 1 3/8"	C x FTG x C TEE

Winland #	Size	Description
CCFTGCTE-122	2 1/8" x 1 3/8" x 1 3/8"	C x FTG x C TEE
CCFTGCTE-123	2 1/8" x 1 5/8" x 1 3/8"	C x FTG x C TEE
CCFTGCTE-124	2 1/8" x 2 1/8" x 1 3/8"	C x FTG x C TEE
CCFTGCTE-125	2 1/8" x 5/8" x 1 5/8"	C x FTG x C TEE
CCFTGCTE-126	2 1/8" x 7/8" x 1 5/8"	C x FTG x C TEE
CCFTGCTE-127	2 1/8" x 1 1/8" x 1 5/8"	C x FTG x C TEE
CCFTGCTE-128	2 1/8" x 1 3/8" x 1 5/8"	C x FTG x C TEE
CCFTGCTE-129	2 1/8" x 1 5/8" x 1 5/8"	C x FTG x C TEE
CCFTGCTE-130	2 1/8" x 2 1/8" x 1 5/8"	C x FTG x C TEE
CCFTGCTE-131	2 5/8" x 5/8" x 2 5/8"	C x FTG x C TEE
CCFTGCTE-132	2 5/8" x 7/8" x 2 5/8"	C x FTG x C TEE
CCFTGCTE-133	2 5/8" x 1 1/8" x 2 5/8"	C x FTG x C TEE
CCFTGCTE-134	2 5/8" x 1 3/8" x 2 5/8"	C x FTG x C TEE
CCFTGCTE-135	2 5/8" x 1 5/8" x 2 5/8"	C x FTG x C TEE
CCFTGCTE-136	2 5/8" x 2 1/8" x 2 5/8"	C x FTG x C TEE
CCFTGCTE-137	2 5/8" x 2 5/8" x 7/8"	C x FTG x C TEE
CCFTGCTE-138	2 5/8" x 1 1/8" x 1 1/8"	C x FTG x C TEE
CCFTGCTE-139	2 5/8" x 1 3/8" x 1 1/8"	C x FTG x C TEE
CCFTGCTE-140	2 5/8" x 1 5/8" x 1 1/8"	C x FTG x C TEE
CCFTGCTE-141	2 5/8" x 2 1/8" x 1 1/8"	C x FTG x C TEE
CCFTGCTE-142	2 5/8" x 2 5/8" x 1 1/8"	C x FTG x C TEE
CCFTGCTE-143	2 5/8" x 1 3/8" x 5/8"	C x FTG x C TEE
CCFTGCTE-144	2 5/8" x 7/8" x 1 3/8"	C x FTG x C TEE
CCFTGCTE-145	2 5/8" x 1 1/8" x 1 3/8"	C x FTG x C TEE
CCFTGCTE-146	2 5/8" x 1 3/8" x 1 3/8"	C x FTG x C TEE
CCFTGCTE-147	2 5/8" x 1 5/8" x 1 3/8"	C x FTG x C TEE
CCFTGCTE-148	2 5/8" x 2 1/8" x 1 3/8"	C x FTG x C TEE
CCFTGCTE-149	2 5/8" x 2 5/8" x 1 3/8"	C x FTG x C TEE
CCFTGCTE-150	2 5/8" x 5/8" x 1 5/8"	C x FTG x C TEE
CCFTGCTE-151	2 5/8" x 7/8" x 1 5/8"	C x FTG x C TEE
CCFTGCTE-152	2 5/8" x 1 1/8" x 1 5/8"	C x FTG x C TEE
CCFTGCTE-153	2 5/8" x 1 3/8" x 1 5/8"	C x FTG x C TEE
CCFTGCTE-154	2 5/8" x 1 5/8" x 1 5/8"	C x FTG x C TEE
CCFTGCTE-155	2 5/8" x 2 1/8" x 1 5/8"	C x FTG x C TEE
CCFTGCTE-156	2 5/8" x 2 5/8" x 1 5/8"	C x FTG x C TEE
CCFTGCTE-157	2 5/8" x 5/8" x 2 1/8"	C x FTG x C TEE
CCFTGCTE-158	2 5/8" x 7/8" x 2 1/8"	C x FTG x C TEE
CCFTGCTE-159	2 5/8" x 1 1/8" x 2 1/8"	C x FTG x C TEE
CCFTGCTE-160	2 5/8" x 1 3/8" x 2 1/8"	C x FTG x C TEE



**TEE**  
**C X FTG X C**

Winland #	Size	Description
CCFTGCTE-161	2 5/8" x 1 5/8" x 2 1/8"	C x FTG x C TEE
CCFTGCTE-162	2 5/8" x 2 1/8" x 2 1/8"	C x FTG x C TEE
CCFTGCTE-163	2 5/8" x 2 5/8" x 2 1/8"	C x FTG x C TEE

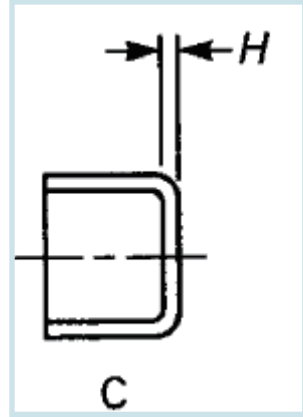


**U Bend C X C**

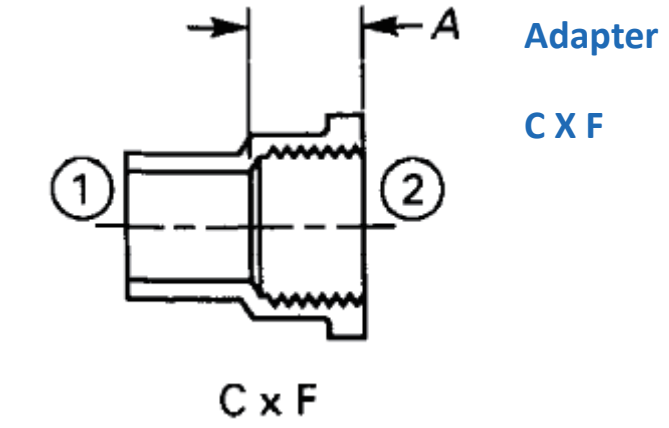
Winland #	Size	Description
CCCUB-1	1/4"	C x C U Bend
CCCUB-2	3/8"	C x C U Bend
CCCUB-3	1/2"	C x C U Bend
CCCUB-4	5/8"	C x C U Bend
CCCUB-5	7/8"	C x C U Bend
CCCUB-6	1 1/8"	C x C U Bend
CCCUB-7	1 3/8"	C x C U Bend
CCCUB-8	1 5/8"	C x C U Bend
CCCUB-9	2 1/8"	C x C U Bend



Winland #	Size	Description
CCAP-1	1/4"	C Cap
CCAP-2	3/8"	C Cap
CCAP-3	1/2"	C Cap
CCAP-4	5/8"	C Cap
CCAP-5	3/4"	C Cap
CCAP-6	7/8"	C Cap
CCAP-7	1 1/8"	C Cap
CCAP-8	1 3/8"	C Cap
CCAP-9	1 5/8"	C Cap
CCAP-10	2 1/8"	C Cap
CCAP-11	2 5/8"	C Cap



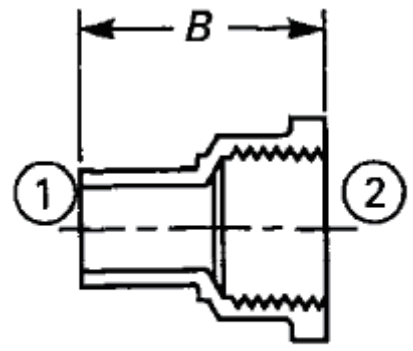
Cap C



Winland #	Size	Description
CCFAD-29	1 5/8" x 1 1/2"	C x F Adapter
CCFAD-30	1 5/8" x 1 1/4"	C x F Adapter
CCFAD-31	2 1/8" x 2"	C x F Adapter
CCFAD-32	2 1/8" x 1 1/2"	C x F Adapter
CCFAD-33	2 5/8" x 2 1/2"	C x F Adapter
CCFAD-34	3 1/8" x 3"	C x F Adapter

Winland #	Size	Description
CCFAD-1	1/4" x 1/2"	C x F Adapter
CCFAD-2	1/4" x 3/8"	C x F Adapter
CCFAD-3	1/4" x 1/4"	C x F Adapter
CCFAD-4	1/4" x 1/8"	C x F Adapter
CCFAD-5	3/8" x 3/8"	C x F Adapter
CCFAD-6	3/8" x 1/4"	C x F Adapter
CCFAD-7	3/8" x 1/8"	C x F Adapter
CCFAD-8	1/2" x 3/4"	C x F Adapter
CCFAD-9	1/2" x 1/2"	C x F Adapter
CCFAD-10	1/2" x 3/8"	C x F Adapter
CCFAD-11	1/2" x 1/4"	C x F Adapter
CCFAD-12	5/8" x 3/4"	C x F Adapter
CCFAD-13	5/8" x 1/2"	C x F Adapter
CCFAD-14	5/8" x 3/8"	C x F Adapter
CCFAD-15	5/8" x 1/4"	C x F Adapter
CCFAD-16	3/4" x 3/4"	C x F Adapter
CCFAD-17	3/4" x 1/2"	C x F Adapter
CCFAD-18	7/8" x 1"	C x F Adapter
CCFAD-19	7/8" x 3/4"	C x F Adapter
CCFAD-20	7/8" x 1/2"	C x F Adapter
CCFAD-21	1 1/8" x 1 1/4"	C x F Adapter
CCFAD-22	1 1/8" x 1"	C x F Adapter
CCFAD-23	1 1/8" x 3/4"	C x F Adapter
CCFAD-24	1 1/8" x 1/2"	C x F Adapter
CCFAD-25	1 3/8" x 1 1/2"	C x F Adapter
CCFAD-26	1 3/8" x 1 1/4"	C x F Adapter
CCFAD-27	1 3/8" x 1"	C x F Adapter
CCFAD-28	1 5/8" x 2"	C x F Adapter

Winland #	Size	Description
CFTGFAD-1	3/8" x 3/8"	FTG x F Adapter
CFTGFAD-2	1/2" x 1/2"	FTG x F Adapter
CFTGFAD-3	1/2" x 1/4"	FTG x F Adapter
CFTGFAD-4	5/8" x 1/2"	FTG x F Adapter
CFTGFAD-5	5/8" x 3/8"	FTG x F Adapter
CFTGFAD-6	7/8" x 3/4"	FTG x F Adapter
CFTGFAD-7	7/8" x 1/2"	FTG x F Adapter
CFTGFAD-8	1 1/8" x 1"	FTG x F Adapter
CFTGFAD-9	1 1/8" x 3/4"	FTG x F Adapter
CFTGFAD-10	1 3/8" x 1 1/4"	FTG x F Adapter
CFTGFAD-11	1 5/8" x 1 1/2"	FTG x F Adapter
CFTGFAD-12	2 1/8" x 2"	FTG x F Adapter
CFTGFAD-13	2 5/8" x 2 1/2"	FTG x F Adapter

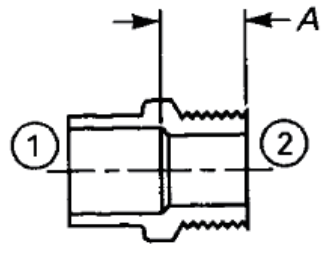


FTG x F

Adapter

FTG X F

Winland #	Size	Description
CCMAD-1	1/4" x 3/8"	C x M Adapter
CCMAD-2	1/4" x 1/4"	C x M Adapter
CCMAD-3	1/4" x 1/8"	C x M Adapter
CCMAD-4	5/16" x 3/8"	C x M Adapter
CCMAD-5	5/16" x 1/4"	C x M Adapter
CCMAD-6	3/8" x 1/2"	C x M Adapter
CCMAD-7	3/8" x 3/8"	C x M Adapter
CCMAD-8	3/8" x 1/4"	C x M Adapter
CCMAD-9	3/8" x 1/8"	C x M Adapter
CCMAD-10	1/2" x 3/4"	C x M Adapter
CCMAD-11	1/2" x 1/2"	C x M Adapter
CCMAD-12	1/2" x 3/8"	C x M Adapter
CCMAD-13	1/2" x 1/4"	C x M Adapter
CCMAD-14	5/8" x 1"	C x M Adapter
CCMAD-15	5/8" x 3/4"	C x M Adapter
CCMAD-16	5/8" x 1/2"	C x M Adapter
CCMAD-17	5/8" x 3/8"	C x M Adapter
CCMAD-18	5/8" x 1/4"	C x M Adapter
CCMAD-19	3/4" x 3/4"	C x M Adapter
CCMAD-20	3/4" x 1/2"	C x M Adapter
CCMAD-21	7/8" x 1"	C x M Adapter
CCMAD-22	7/8" x 3/4"	C x M Adapter
CCMAD-23	7/8" x 1/2"	C x M Adapter
CCMAD-24	1 1/8" x 1 1/2"	C x M Adapter
CCMAD-25	1 1/8" x 1 1/4"	C x M Adapter
CCMAD-26	1 1/8" x 1"	C x M Adapter

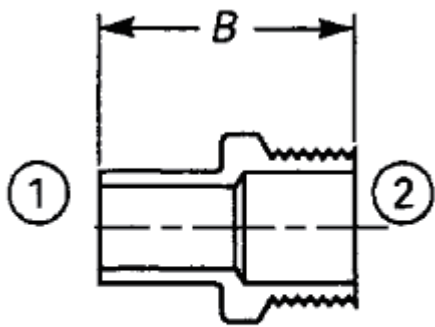


C x M

Adapter

C X M

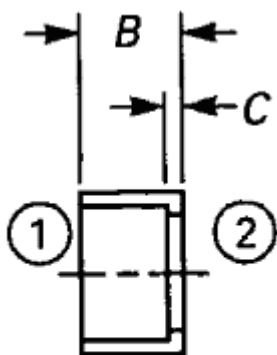
Winland #	Size	Description
CCMAD-27	1 1/8" x 3/4"	C x M Adapter
CCMAD-28	1 1/8" x 1/2"	C x M Adapter
CCMAD-29	1 3/8" x 1 1/2"	C x M Adapter
CCMAD-30	1 3/8" x 1 1/4"	C x M Adapter
CCMAD-31	1 3/8" x 1"	C x M Adapter
CCMAD-32	1 3/8" x 3/4"	C x M Adapter
CCMAD-33	1 5/8" x 2"	C x M Adapter
CCMAD-34	1 5/8" x 1 1/2"	C x M Adapter
CCMAD-35	1 5/8" x 1 1/4"	C x M Adapter
CCMAD-36	1 5/8" x 1"	C x M Adapter
CCMAD-37	2 1/8" x 2"	C x M Adapter
CCMAD-38	2 1/8" x 1 1/2"	C x M Adapter
CCMAD-39	2 1/8" x 1 1/4"	C x M Adapter
CCMAD-40	2 5/8" x 2 1/2"	C x M Adapter
CCMAD-41	2 5/8" x 2"	C x M Adapter
CCMAD-42	2 5/8" x 1 1/2"	C x M Adapter
CCMAD-43	3 1/8" x 3"	C x M Adapter
CCMAD-44	4 1/8" x 4"	C x M Adapter



**FTG x M**

**Adapter**

**FTG X M**



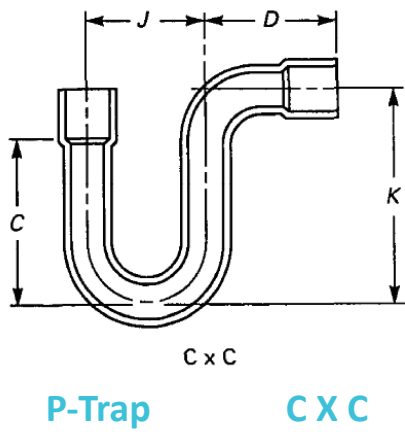
**FTG x C  
FLUSH**

**Bushing**

**FTG X C**

Winland #	Size	Description
CFTGMAD-1	1/2" x 3/8"	FTG x M Adapter
CFTGMAD-2	5/8" x 1/2"	FTG x M Adapter
CFTGMAD-3	5/8" x 3/8"	FTG x M Adapter
CFTGMAD-4	7/8" x 3/4"	FTG x M Adapter
CFTGMAD-5	7/8" x 1/2"	FTG x M Adapter
CFTGMAD-6	1 1/8" x 1"	FTG x M Adapter
CFTGMAD-7	1 1/8" x 3/4"	FTG x M Adapter
CFTGMAD-8	1 3/8" x 1 1/4"	FTG x M Adapter
CFTGMAD-9	1 5/8" x 1 1/2"	FTG x M Adapter
CFTGMAD-10	2 1/8" x 2"	FTG x M Adapter
CFTGMAD-11	2 5/8" x 2 1/2"	FTG x M Adapter

Winland #	Size	Description
CFTGCB-1	3/8" x 1/4"	FTG x C Bushing
CFTGCB-2	1/2" x 3/8"	FTG x C Bushing
CFTGCB-3	1/2" x 1/4"	FTG x C Bushing
CFTGCB-4	5/8" x 1/2"	FTG x C Bushing
CFTGCB-5	5/8" x 3/8"	FTG x C Bushing
CFTGCB-6	3/4" x 5/8"	FTG x C Bushing
CFTGCB-7	3/4" x 1/2"	FTG x C Bushing
CFTGCB-8	3/4" x 3/8"	FTG x C Bushing
CFTGCB-9	7/8" x 3/4"	FTG x C Bushing
CFTGCB-10	7/8" x 5/8"	FTG x C Bushing
CFTGCB-11	7/8" x 1/2"	FTG x C Bushing
CFTGCB-12	1 1/8" x 7/8"	FTG x C Bushing
CFTGCB-13	1 1/8" x 3/4"	FTG x C Bushing
CFTGCB-14	1 1/8" x 5/8"	FTG x C Bushing
CFTGCB-15	1 3/8" x 1 1/8"	FTG x C Bushing
CFTGCB-16	1 3/8" x 7/8"	FTG x C Bushing
CFTGCB-17	1 5/8" x 1 3/8"	FTG x C Bushing
CFTGCB-18	1 5/8" x 1 1/8"	FTG x C Bushing
CFTGCB-19	2 1/8" x 1 5/8"	FTG x C Bushing
CFTGCB-20	2 1/8" x 1 3/8"	FTG x C Bushing
CFTGCB-21	2 5/8" x 2 1/8"	FTG x C Bushing



Winland #	Size	Description
CCCPT-1	5/8"	C X C P-Trap
CCCPT-2	3/4"	C X C P-Trap
CCCPT-3	7/8"	C X C P-Trap
CCCPT-4	1 1/8"	C X C P-Trap
CCCPT-5	1 3/8"	C X C P-Trap
CCCPT-6	1 5/8"	C X C P-Trap
CCCPT-7	2 1/8"	C X C P-Trap